

Kansas 4-H Woodworking Plans



Protected Under
18 U.S.C. 707

**Kansas State University
Agricultural Experiment Station and
Cooperative Extension Service**

Please return to:
*K-State Research & Extension-
Dickinson County
712 S Buckeye
Abilene, KS 67410*

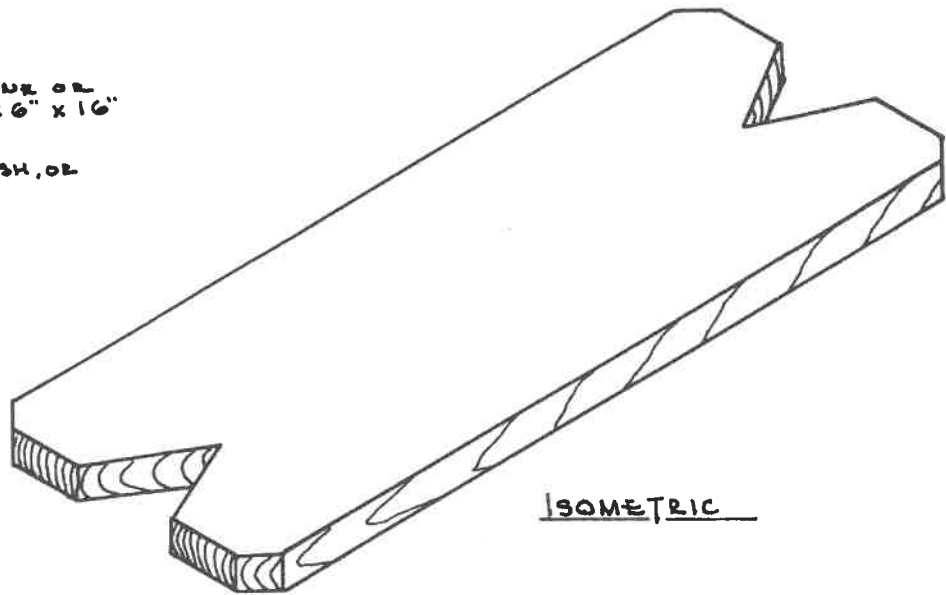
Swing Seat

MATERIAL

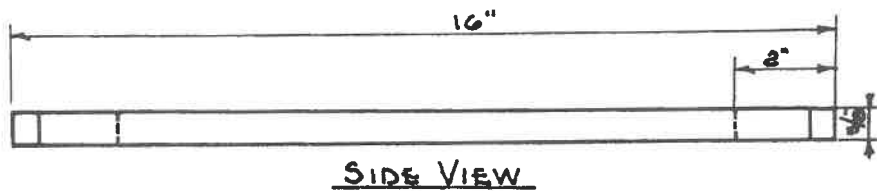
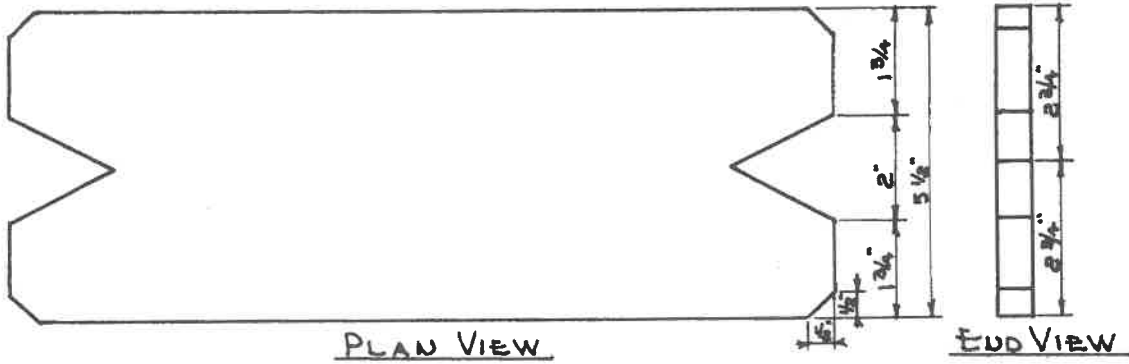
1 PC. WHITE PINE OR
REDWOOD 1" X 6" X 16"

FINISH

ENAMEL, VARNISH, OR
UNFINISHED.



ISOMETRIC



SIDE VIEW

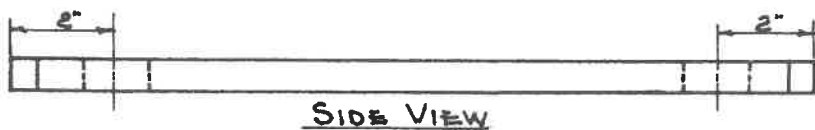
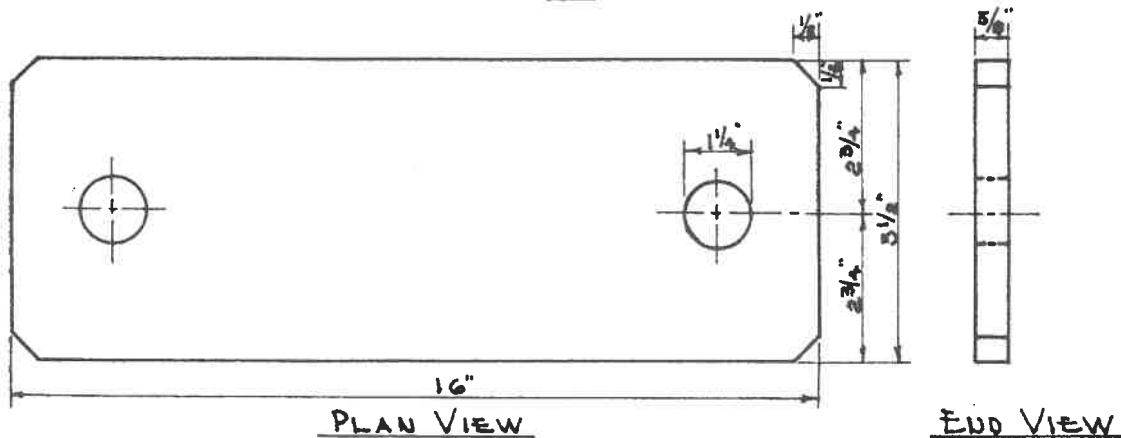
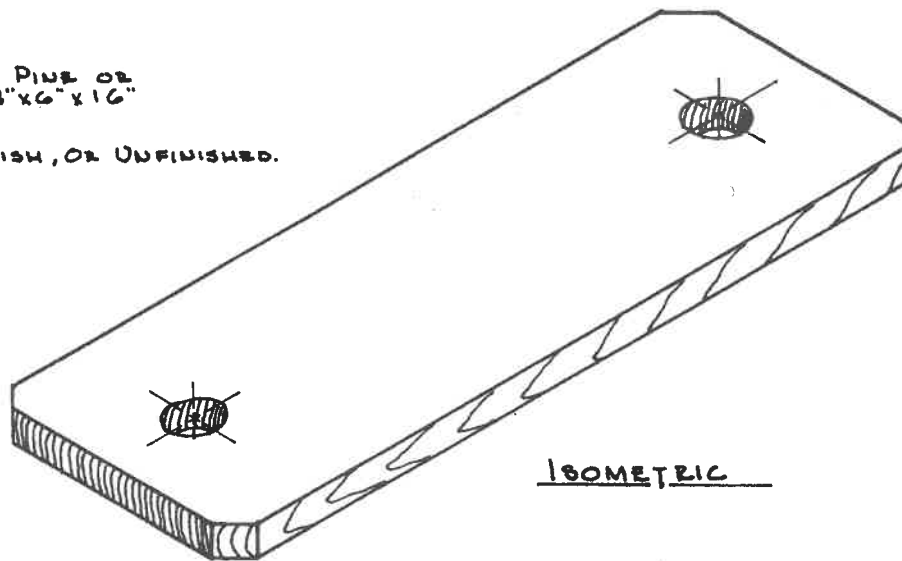
Swing Seat

MATERIAL

1 PC WHITE PINE OR
RED WOOD 1" X 6" X 16"

FINISH

ENAMEL, VARNISH, OR UNFINISHED.



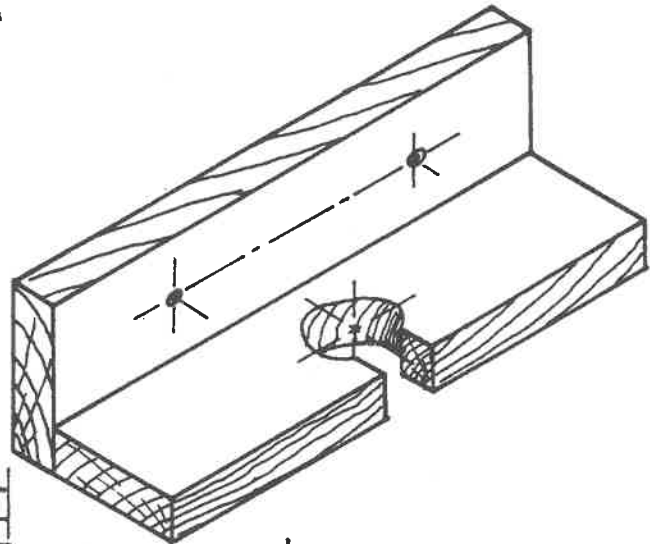
Broom Holder

MATERIAL

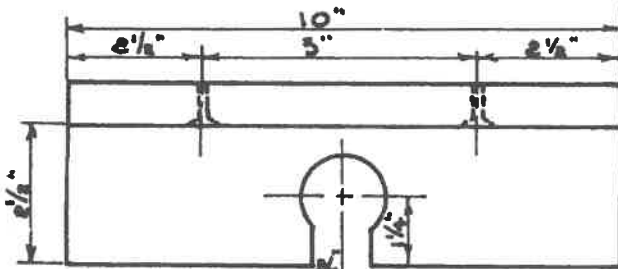
2 PC. WHITE PINE 1"x4"x10"
4 #5 FLATHEAD WOOD SCREWS 1 1/4" LONG

FINISH

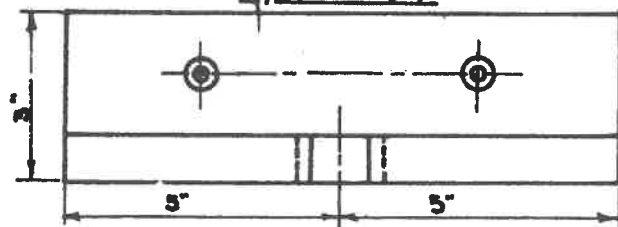
ENAMEL OR VARNISH.



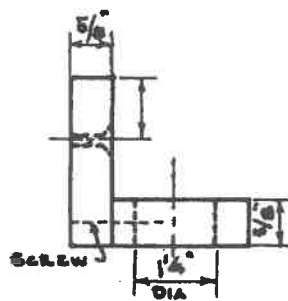
ISOMETRIC



TOP VIEW

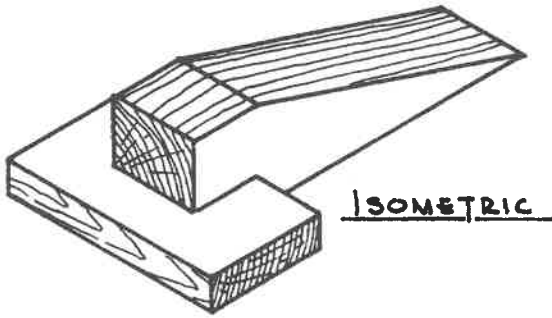


FRONT VIEW

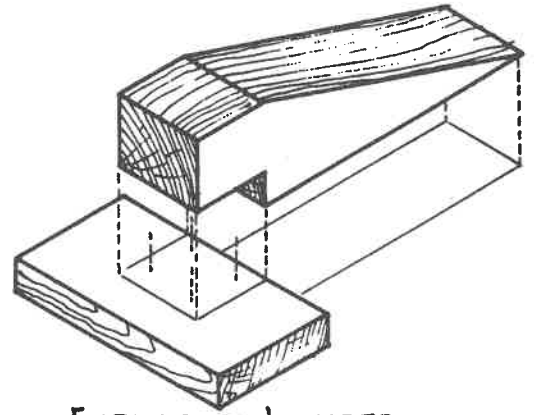


END VIEW

Door Stop



ISOMETRIC



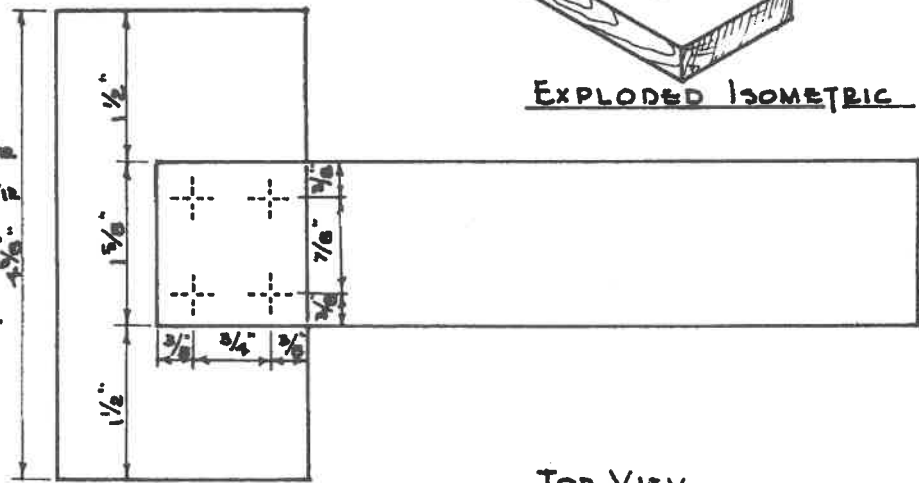
EXPLODED ISOMETRIC

MATERIAL

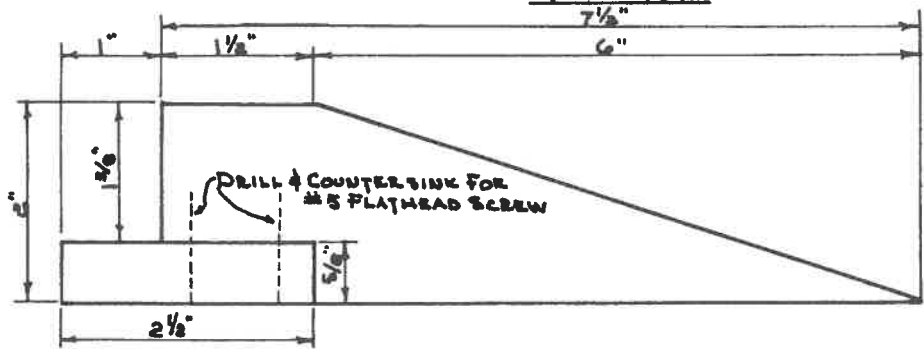
- 1 PC. WHITE PINE OR FIR
2" X 4" X 8"
- 1 PC. WHITE PINE OR FIR
1" X 3" X 5"
- 4 #5 FLATHEAD SCREWS:
1 1/4" LONG

FINISH

VARNISH OR ENAMEL.

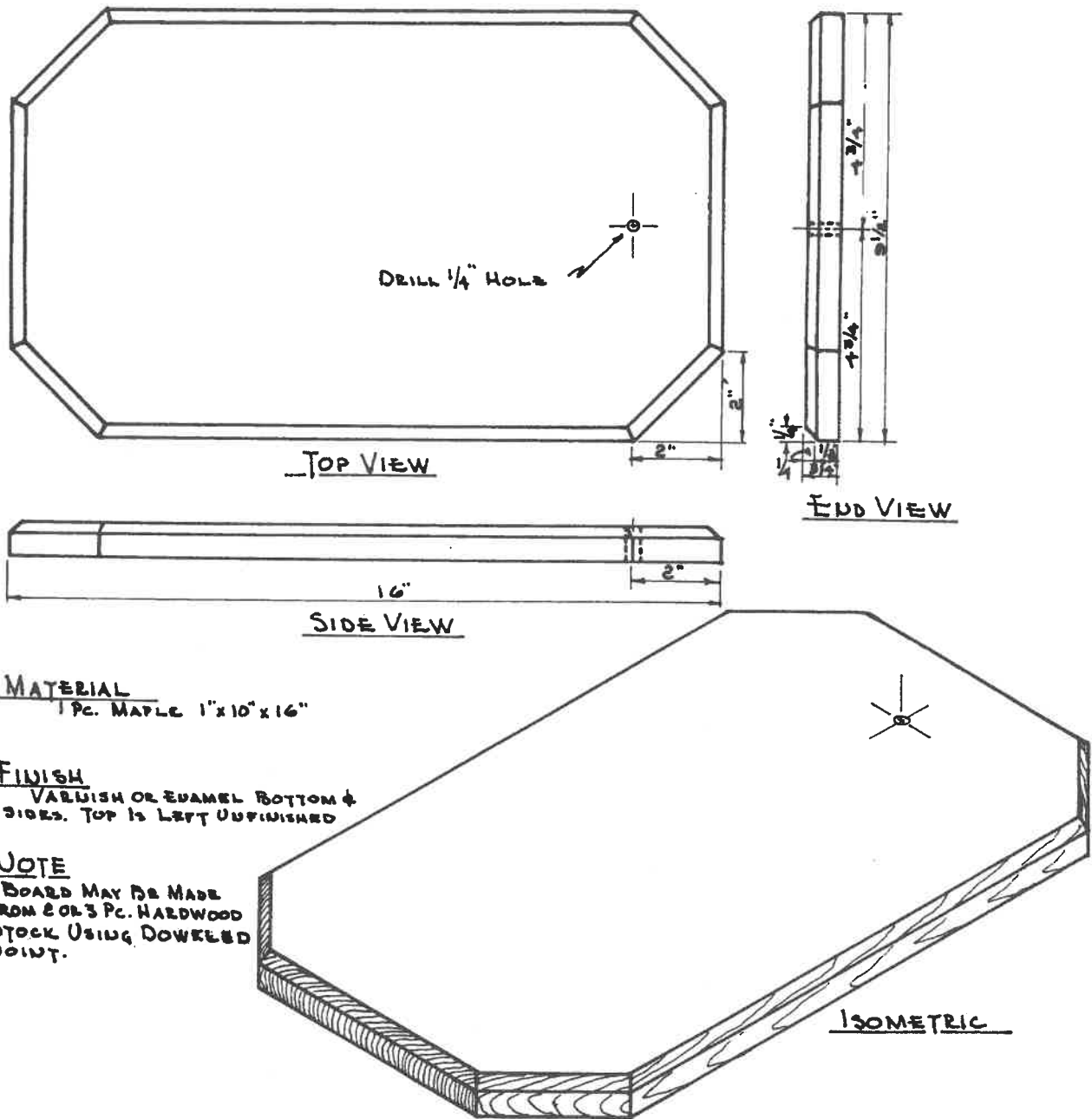


TOP VIEW

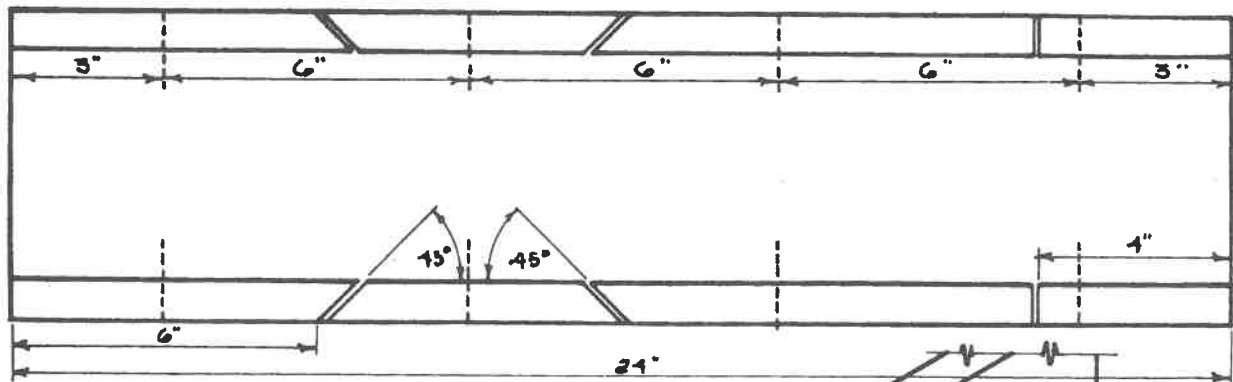


SIDE VIEW

Kitchen Cutting Board



Mitre Box



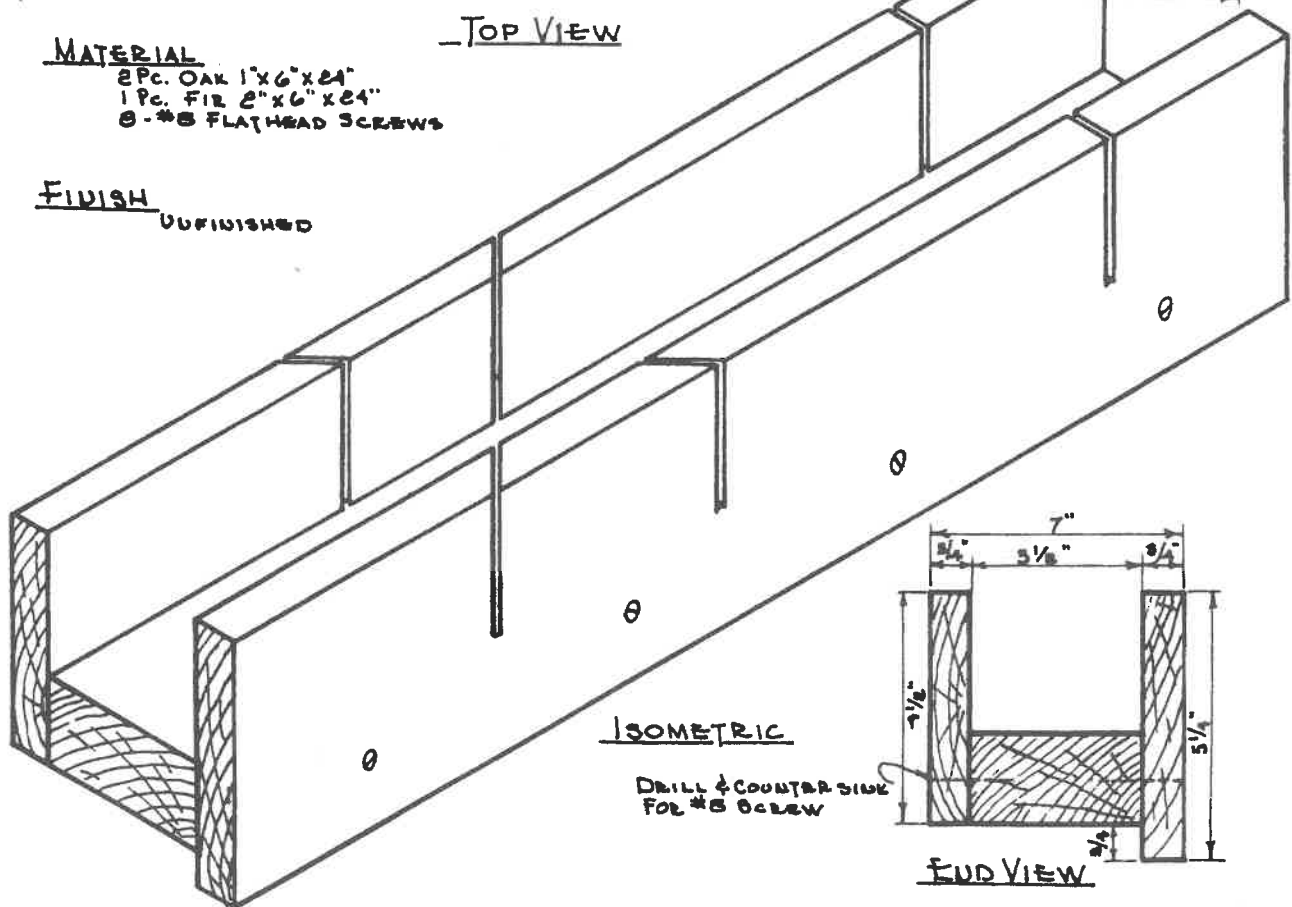
TOP VIEW

MATERIAL

- 2 PC. OAK 1" X 6" X 24"
- 1 PC. FIR 2" X 6" X 24"
- 8 - #8 FLATHEAD SCREWS

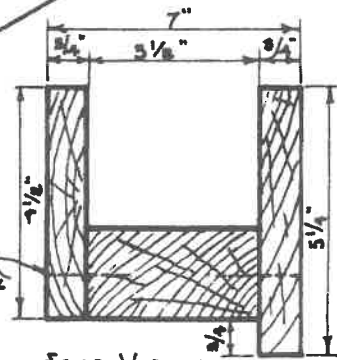
FINISH

UNFINISHED



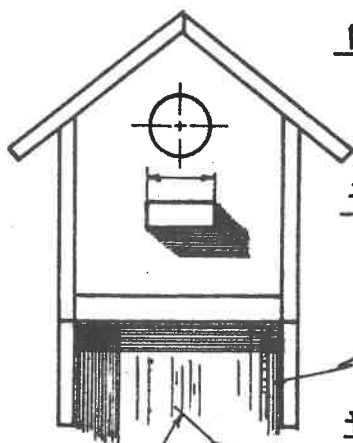
ISOMETRIC

DRILL & COUNTER SINK FOR #8 SCREW



END VIEW

Wren House



MATERIAL

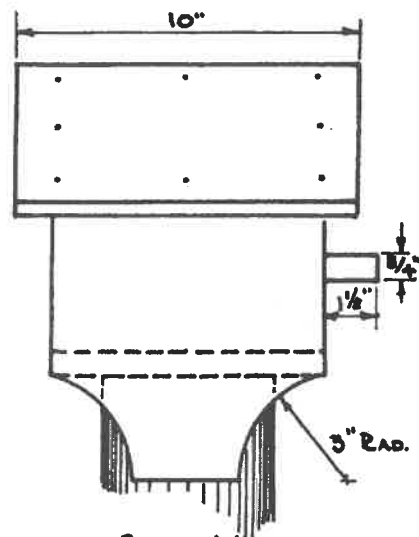
PINE OR FIR
 ROOF - 2 Pcs. $\frac{1}{2}$ " x 8" x 10"
 SIDES - 2 Pcs. $\frac{1}{2}$ " x 10" x 8"
 ENDS - 2 Pcs. 1" x 8" x 8"
 PERCH 1 Pc. 1" x 2" x 2"
 + BOX 3d FINISH NAILS (SRT & FILL)

FINISH

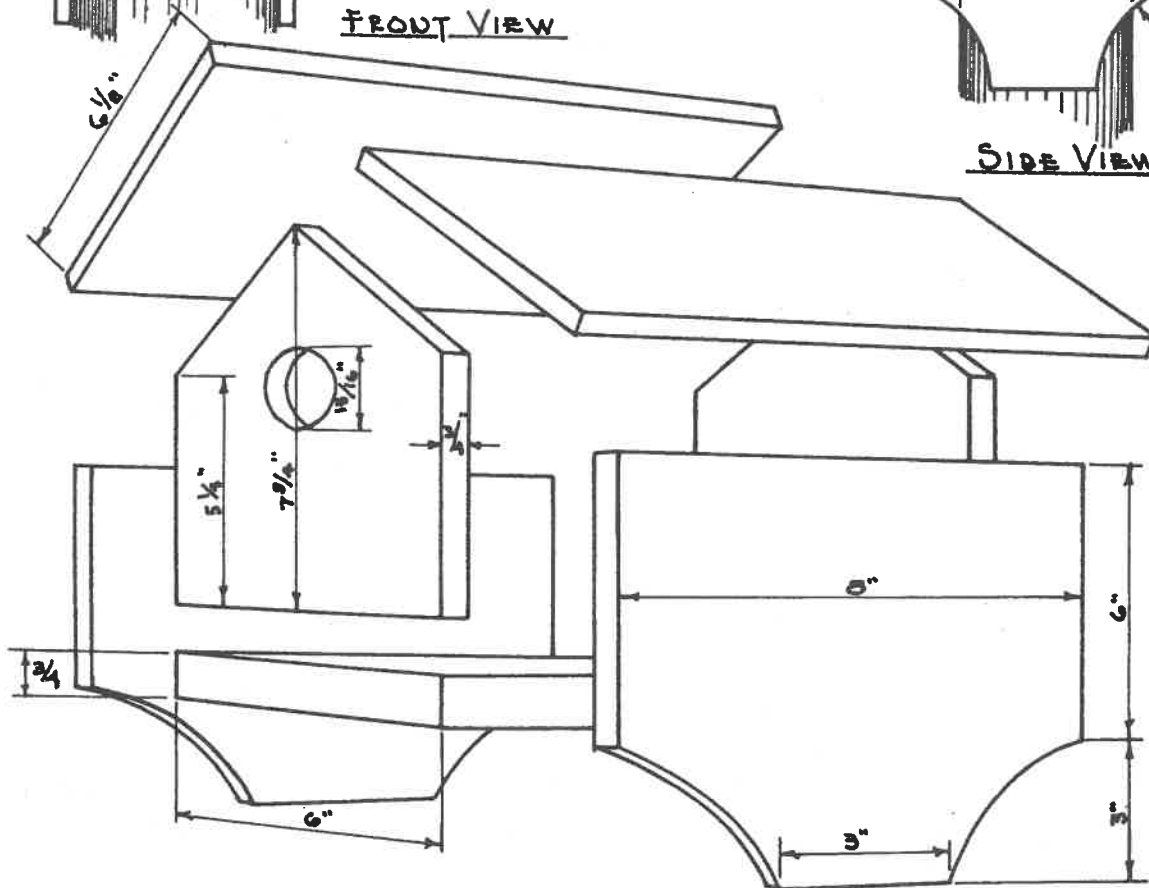
PAINT, VARNISH OR CLEAR WOOD PRESERVATIVE. AVOID BRIGHT COLORS.

BLOCK TO FIT POST

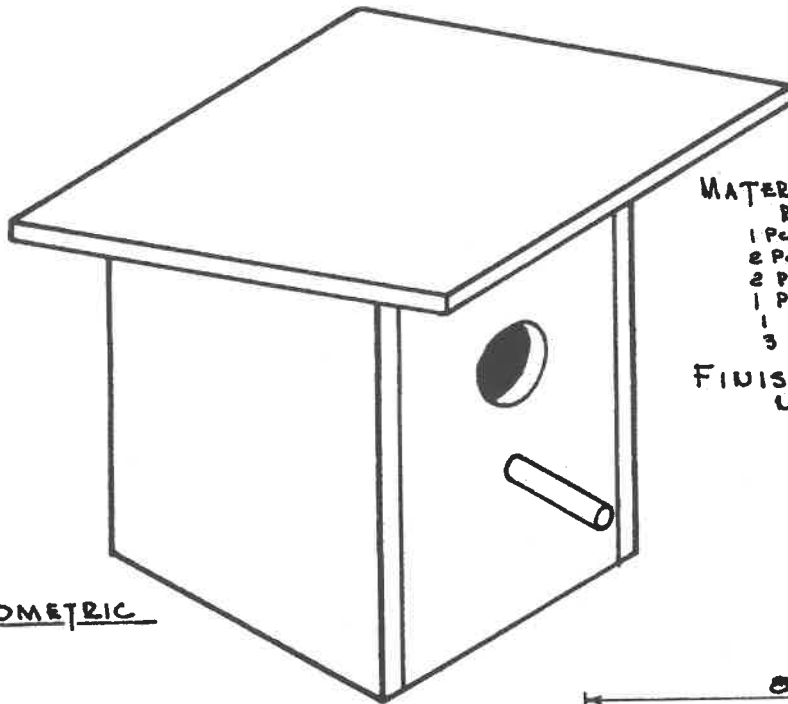
FRONT VIEW



SIDE VIEW



Blue Bird House



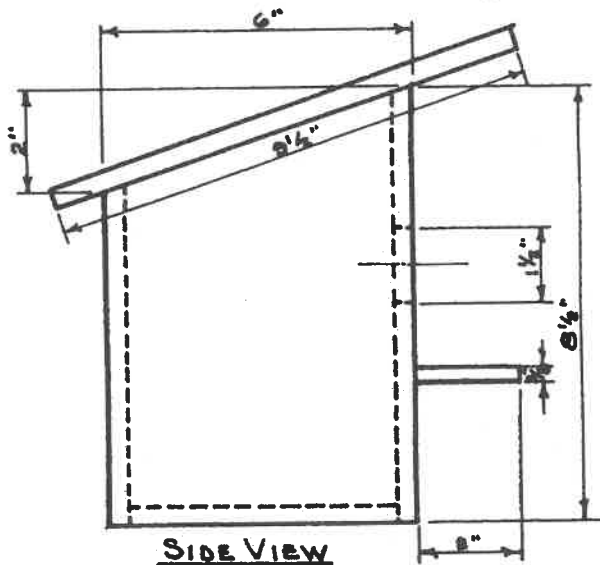
ISOMETRIC

MATERIALS

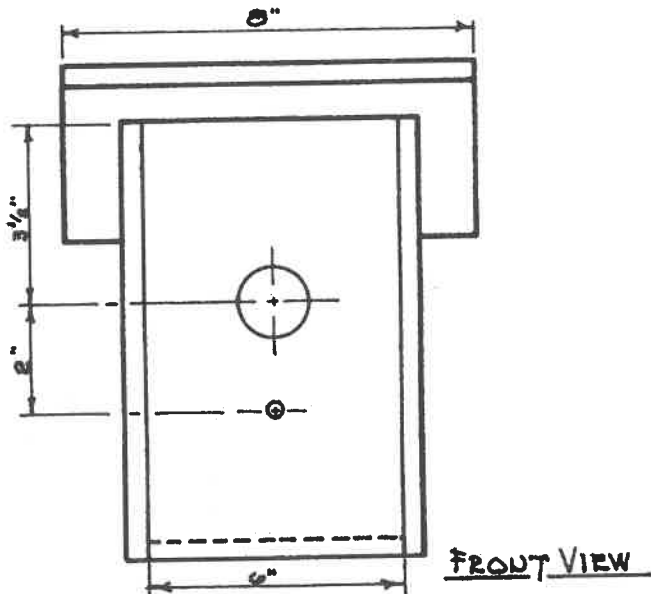
- REDWOOD, CYPRESS OR CEDAR
 1 Pc. $\frac{1}{2}$ " x 6" x 10" - ROOF
 2 Pc. $\frac{1}{2}$ " x 9" x 6" - SIDES
 2 Pc. $\frac{1}{2}$ " x 6" x 10" - FRONT & BACK
 1 Pc. $\frac{1}{2}$ " x 6" x 6" - BOTTOM
 1 $\frac{3}{8}$ " DOWEL 3" LONG
 3 DOZ 1" BRADS

FINISH

NO FINISH, LEAVE NATURAL.

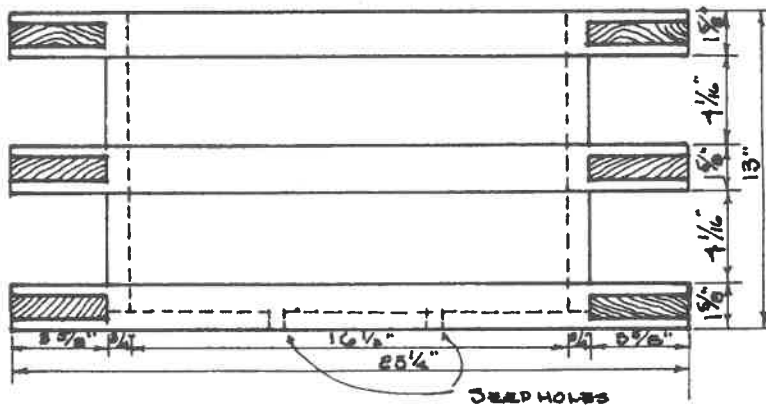
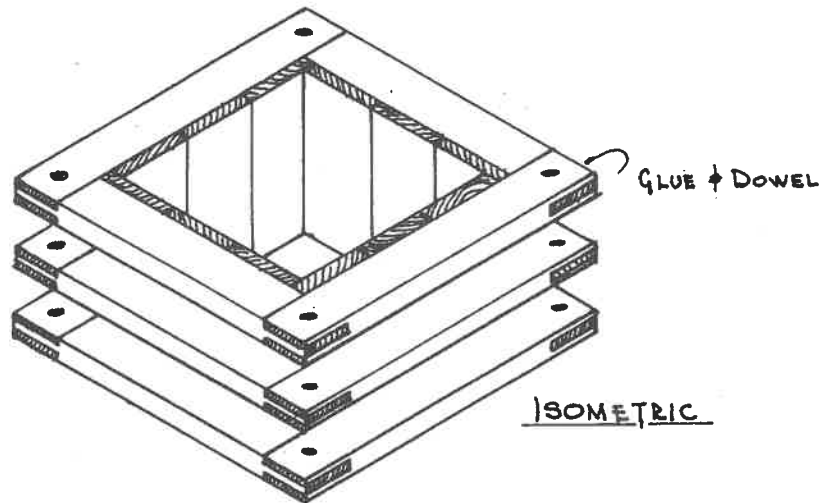


SIDE VIEW



FRONT VIEW

Planting Box



SIDE VIEW

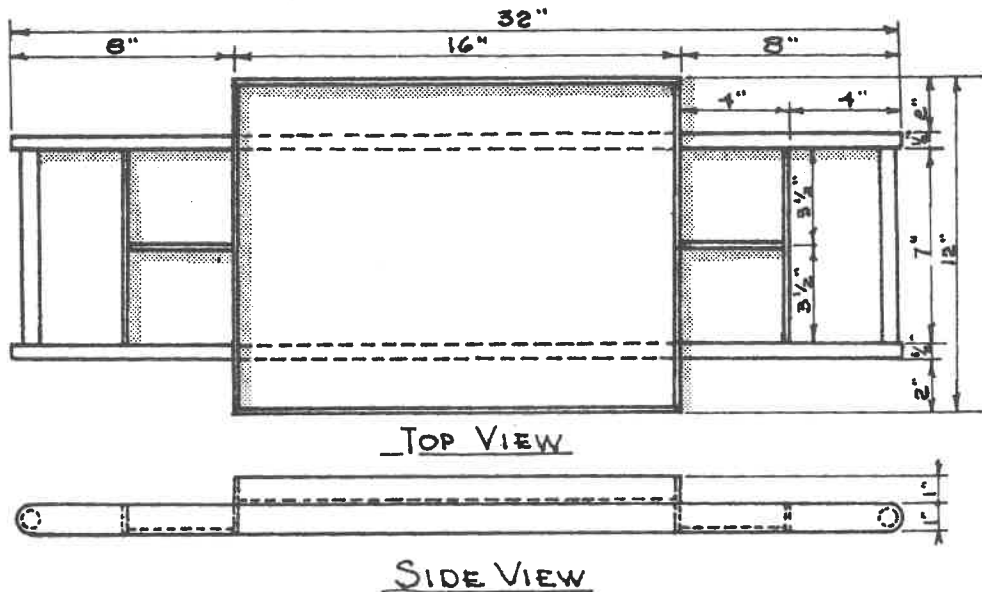
MATERIAL

REDWOOD OR CYPRESS
 12 Pcs. 2"x4" x 26" - FLANGES
 12 Pcs. 1"x6" x 12" - SIDES.
 3 Pcs. 1"x6" x 18" - BOTTOM
 1 - 1/2" DOWEL 2'-0" LONG
 WATERPROOF GLUE
 130 6d ALUMINUM NAILS

FINISH

NO FINISH REQUIRED IF
 REDWOOD OR CYPRESS. FLANGES
 MAY BE PAINTED A DIFFERENT
 COLOR IF DESIRED.

Serving Tray



MATERIAL

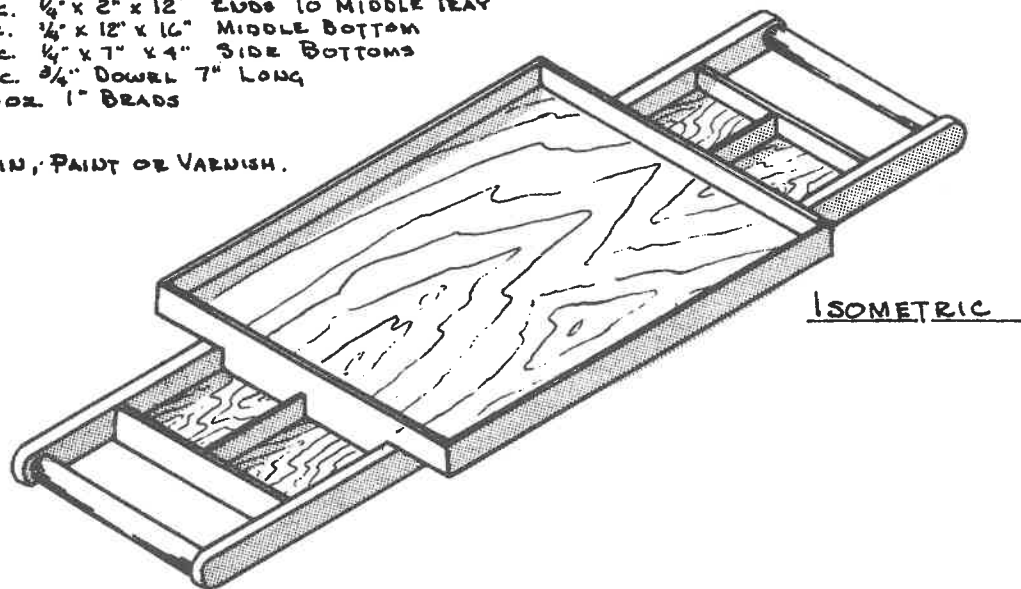
- PLYWOOD - FIR OR HARDWOOD VENEER
- 2 PC. 1/2" x 1" x 32" - ARMS
- 2 PC. 1/2" x 1" x 7" - ENDS FOR SIDE TRAYS
- 2 PC. 1/4" x 3/4" x 4" - DIVIDER FOR SIDE TRAYS
- 2 PC. 1/2" x 1" x 16" - SIDES TO MIDDLE TRAY
- 2 PC. 1/2" x 2" x 12" - ENDS TO MIDDLE TRAY
- 1 PC. 1/2" x 12" x 16" - MIDDLE BOTTOM
- 2 PC. 1/4" x 7" x 4" - SIDE BOTTOMS
- 2 PC. 3/4" DOWEL 7" LONG
- 6 DOZ. 1" BRADS

NOTE:

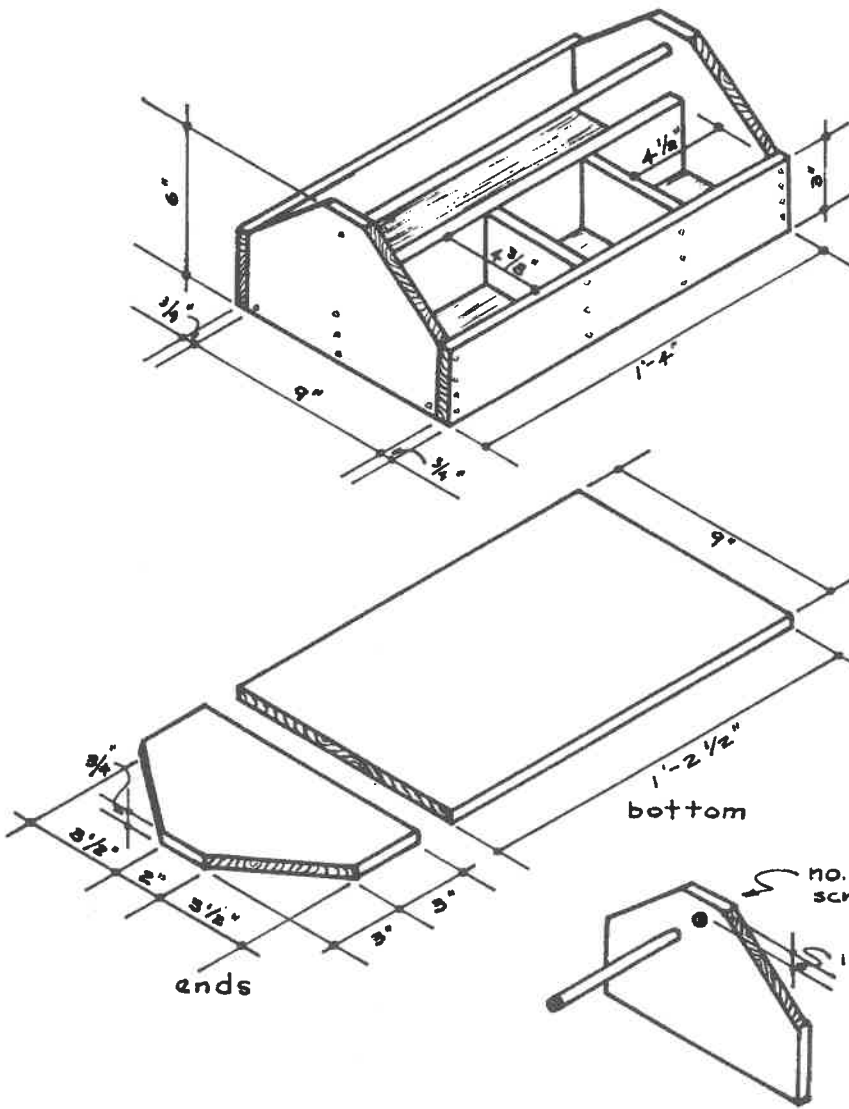
GLUE ALL JOINTS.

FINISH

STAIN, PAINT OR VARNISH.



Nail Box



MATERIALS

- stock - good quality softwood
- 1 piece 1" x 4" x 5'-0" sides and partitions.
- 1 piece 1" x 8" x 1'-6" for the ends.
- 1 piece 1" x 10" x 1'-5" for the bottom.
- 36 sd finish nails (for the partitions.)
- 6 2d no. 7 flathead screws for the ends.
- 6 2d no. 10 flathead screws to fasten the handle.

TOOLS

crosscut and rip saws, square, rule, plane, hammer screw driver, brace and bit, marking gauge, pencil.

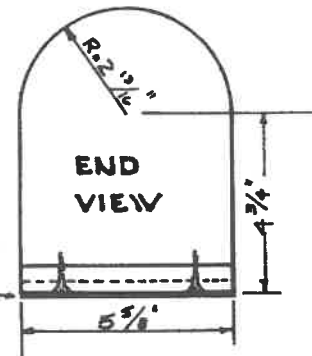
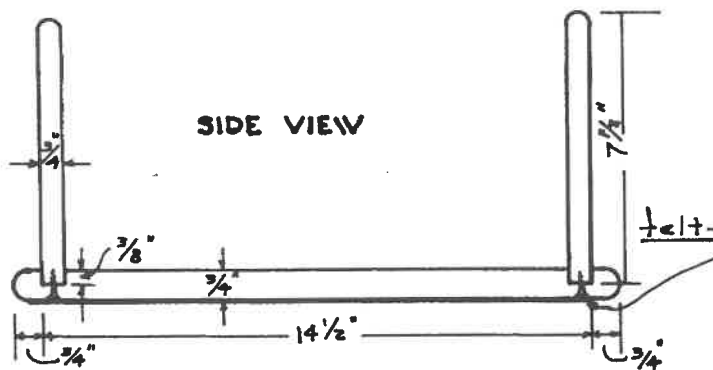
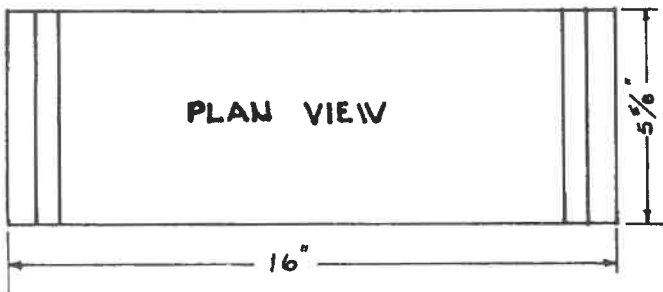
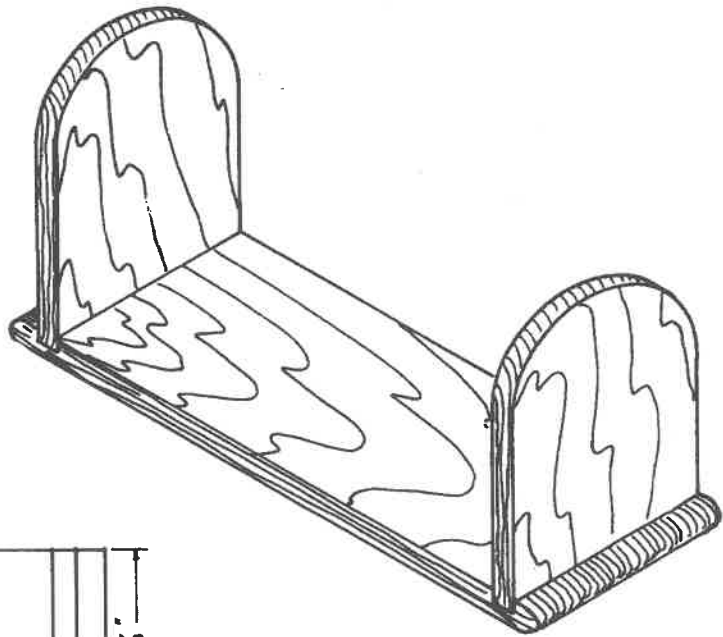
FINISH

no finish is required, but one may be applied.

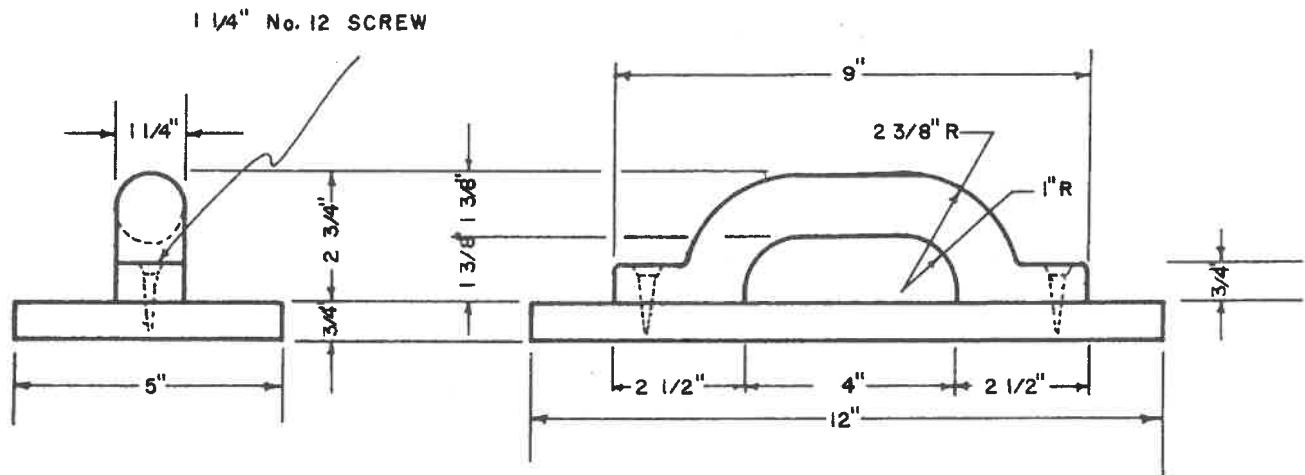
Bookholder

List of Materials

- 1-1 x 6" x 32" (red or white birch preferred)
- 1-5 1/2" x 15" piece of felt glued to undersurface.
- 4-#5-1" flat head screws
- glue, sandpaper

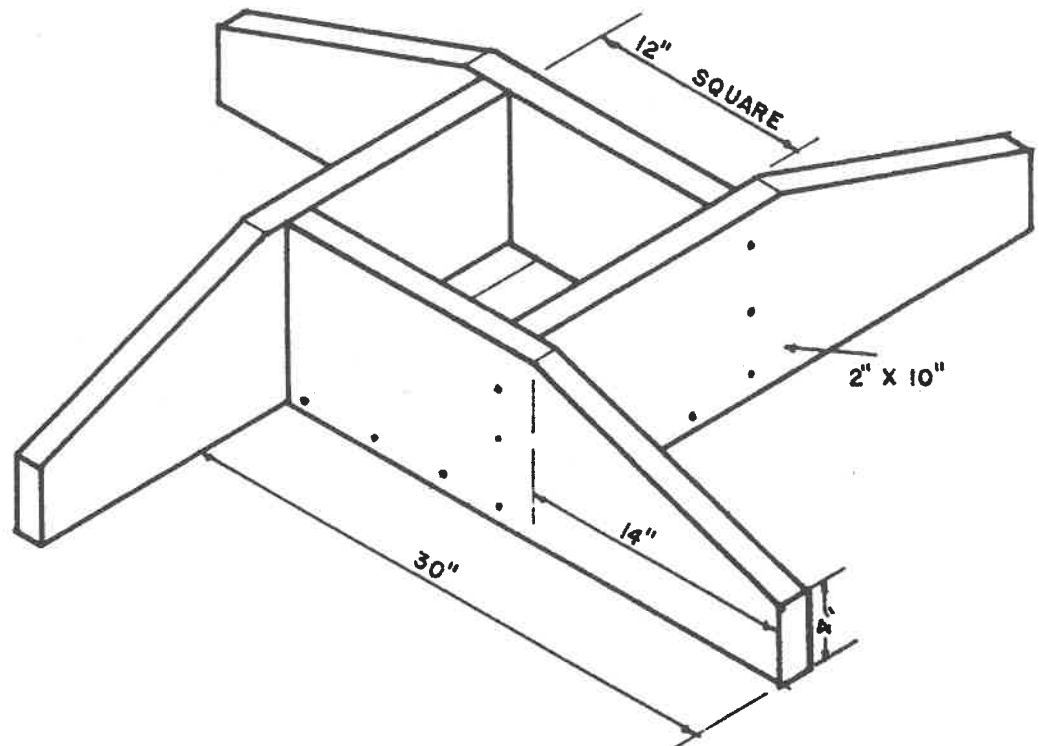


Wood Float



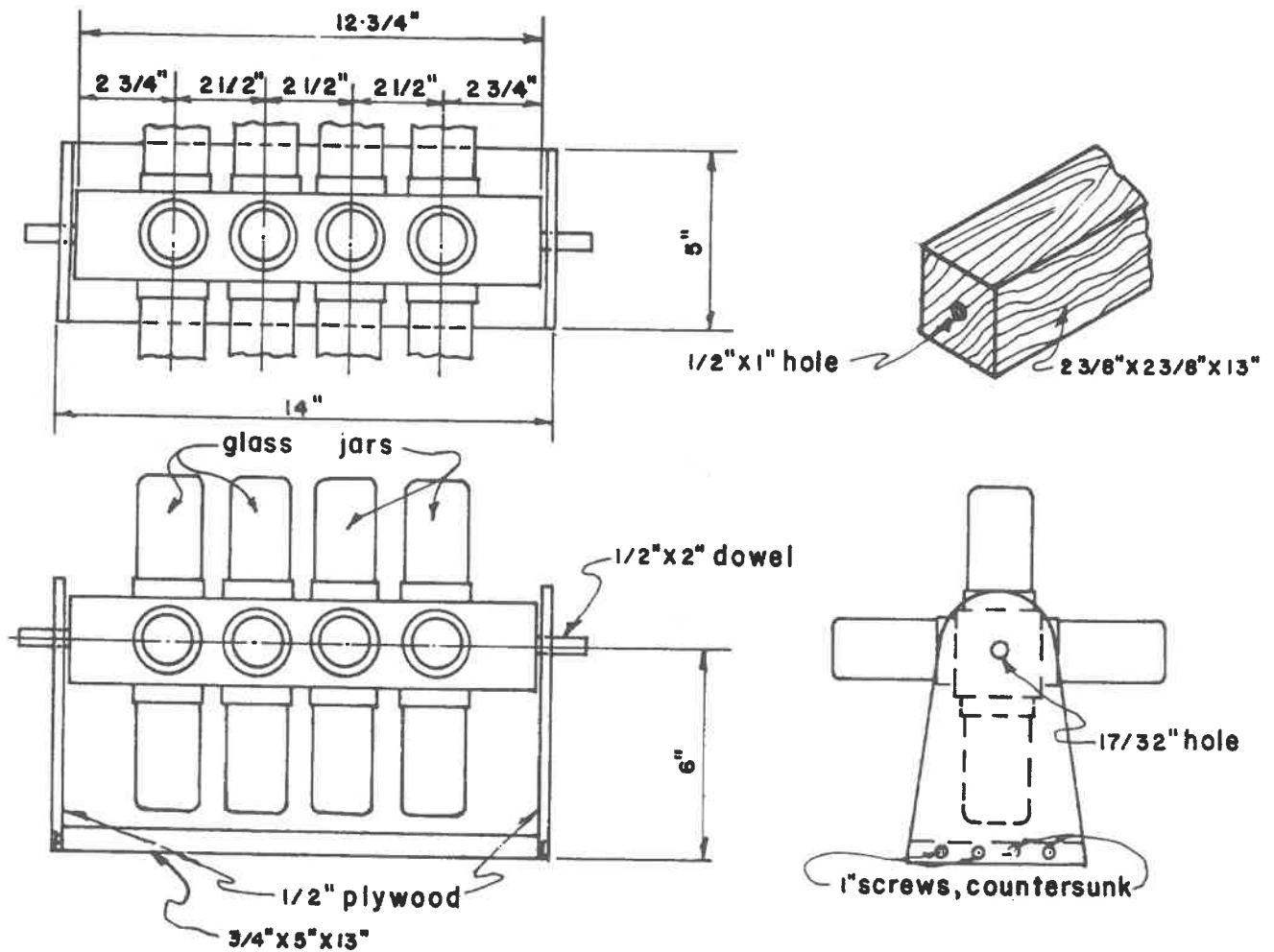
This wood float is for finishing concrete. The handle should be made from hardwood and the float from a softwood.

Salt Box



This salt box is not easily overturned and may be made from any 2-inch material either planed or unplanned. One piece of 2"X10"X12' lumber is needed.

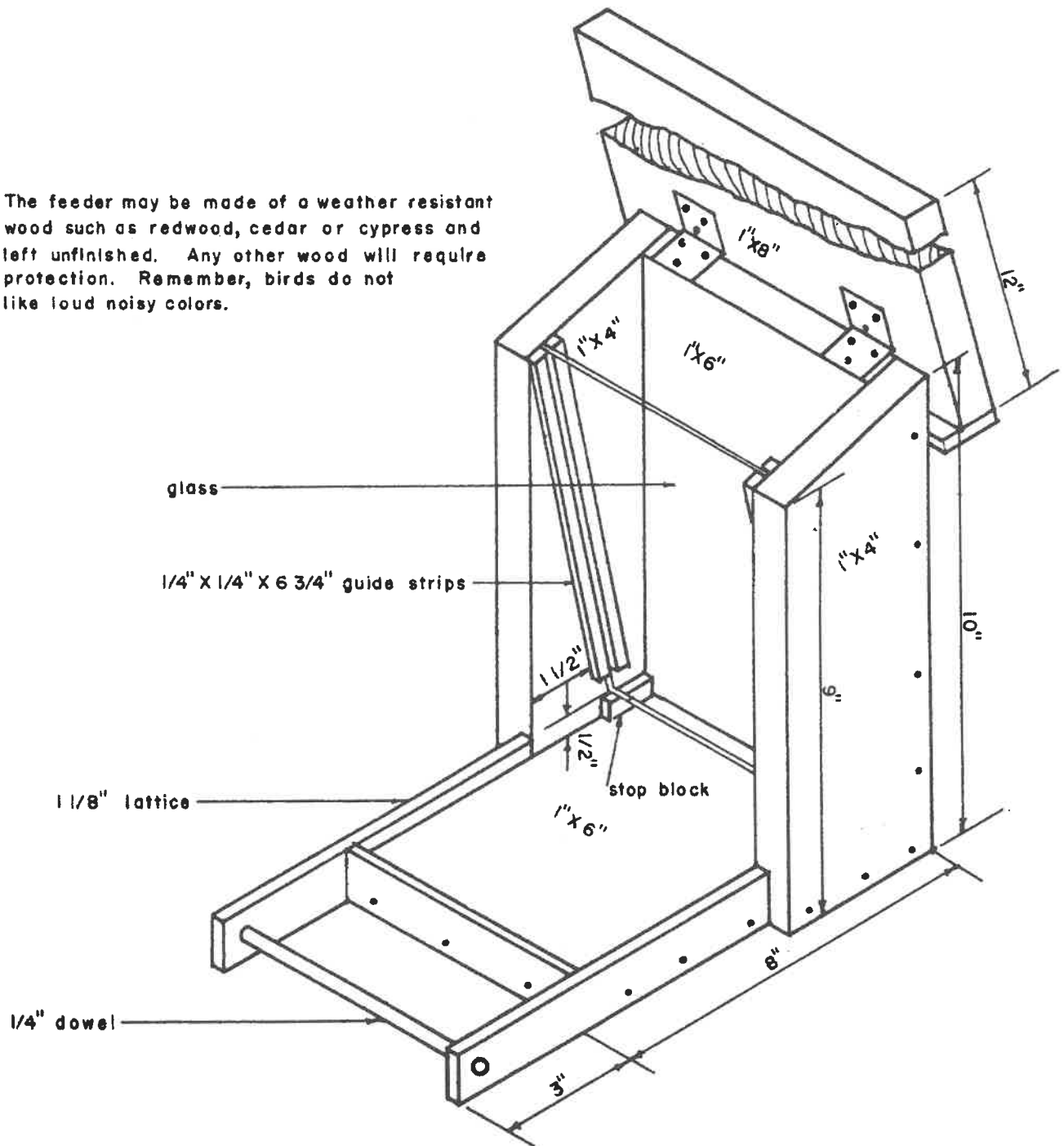
Nail and Screw Holder



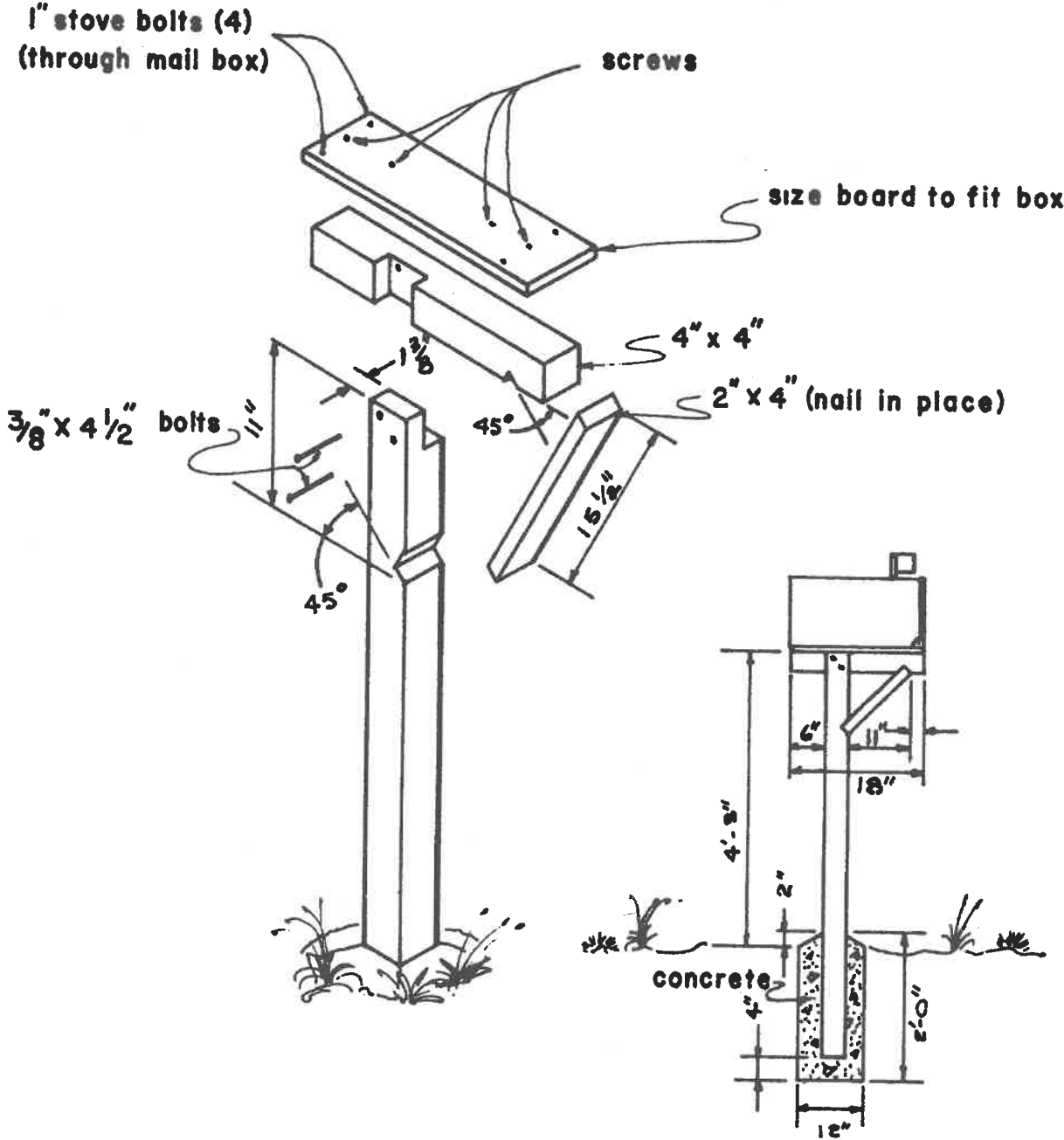
NOTE: screw the jar lids onto the block on all four sides.

Bird Feeder

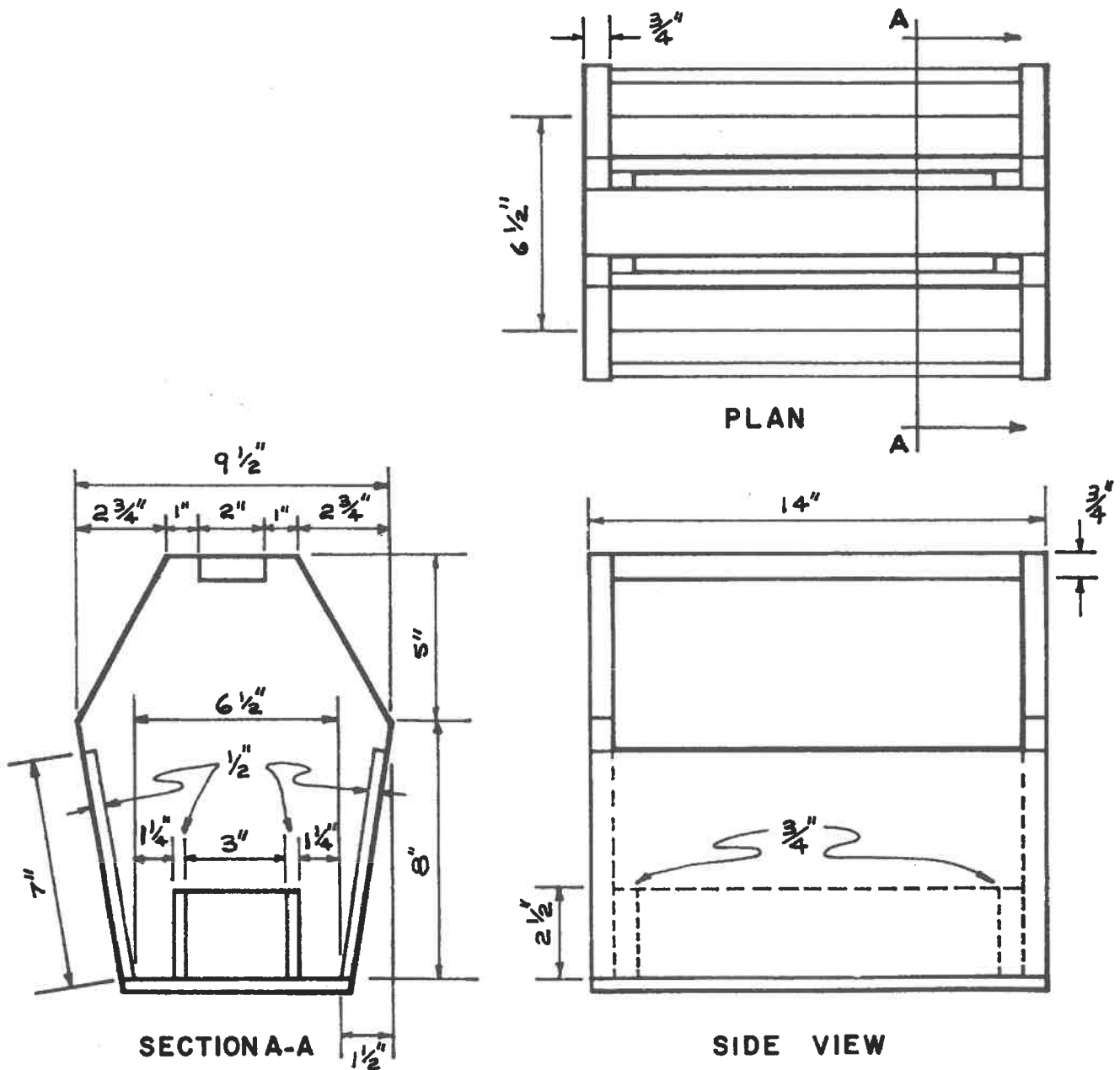
The feeder may be made of a weather resistant wood such as redwood, cedar or cypress and left unfinished. Any other wood will require protection. Remember, birds do not like loud noisy colors.



Mail Box Post



Shoe Shine Box

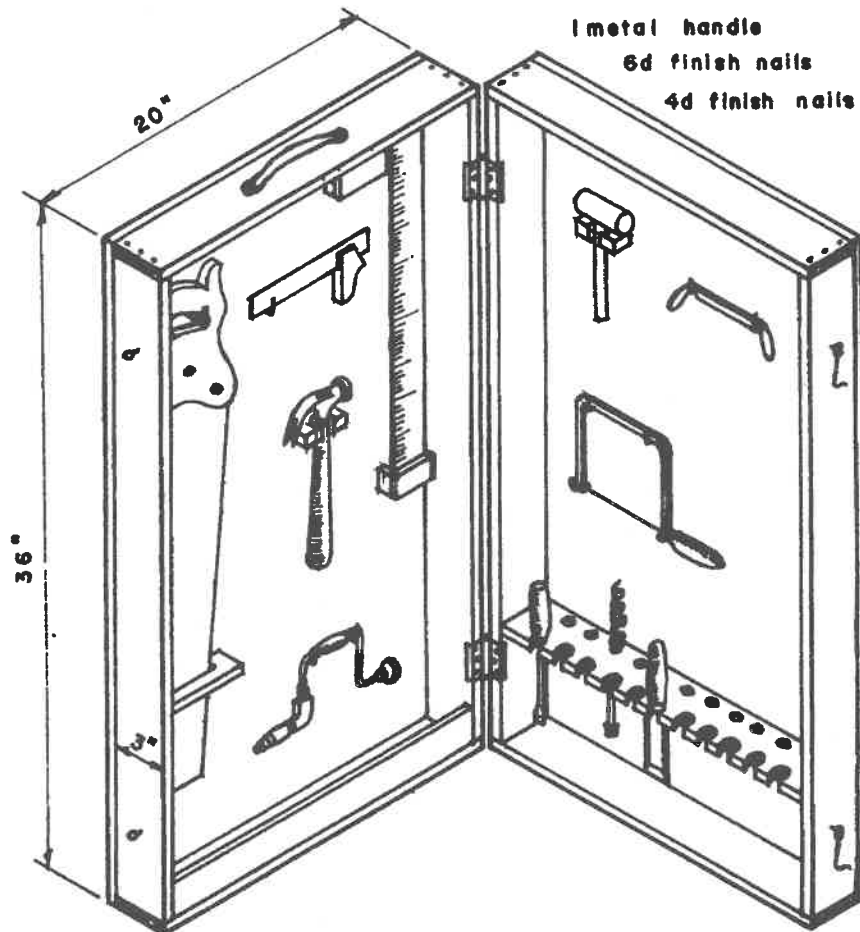


Tool Chest

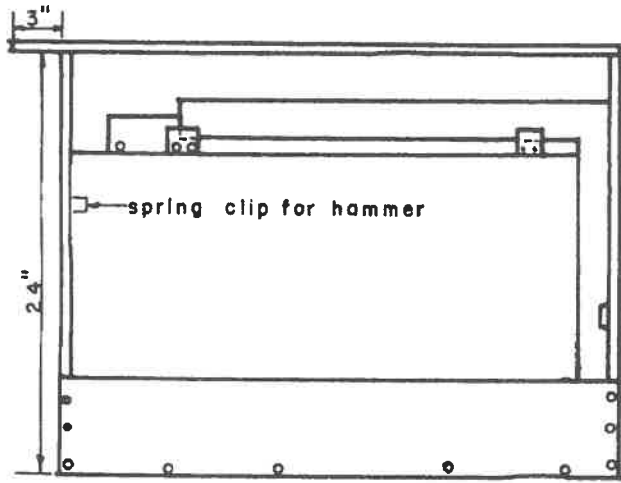
NOTE: It can be wall mounted or set on a bench.

MATERIALS NEEDED:

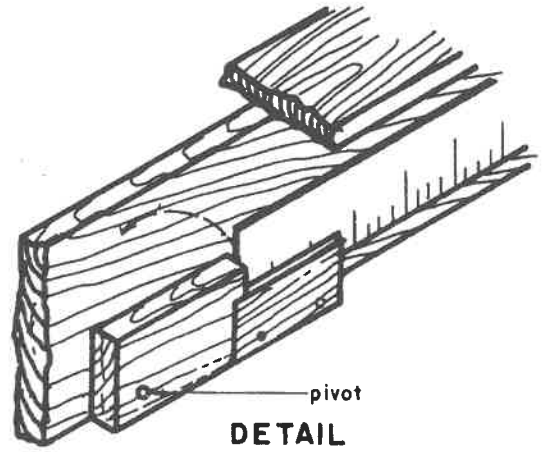
- 2 pieces of 1/2" plywood 24" X 36"
- 4 pieces of 1/2" X 3" X 36" fir or pine
- 5 pieces of 1/2" X 3" X 24" fir or pine
- 1 piece of 1/2" X 2" X 24"
- 2 cabinet hinges
- 2 hooks and eyes
- 1 metal handle
- 6d finish nails
- 4d finish nails



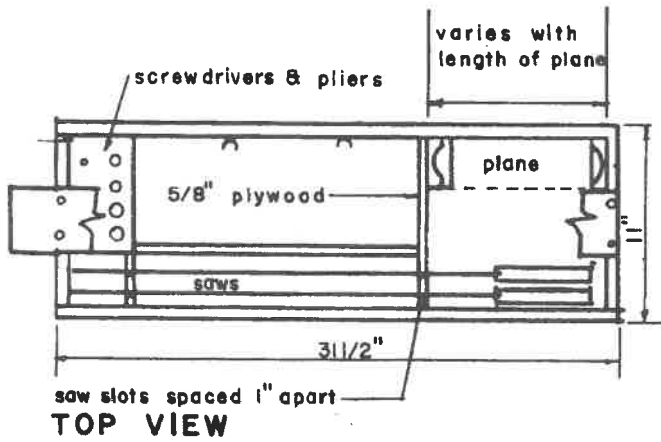
Tool Box



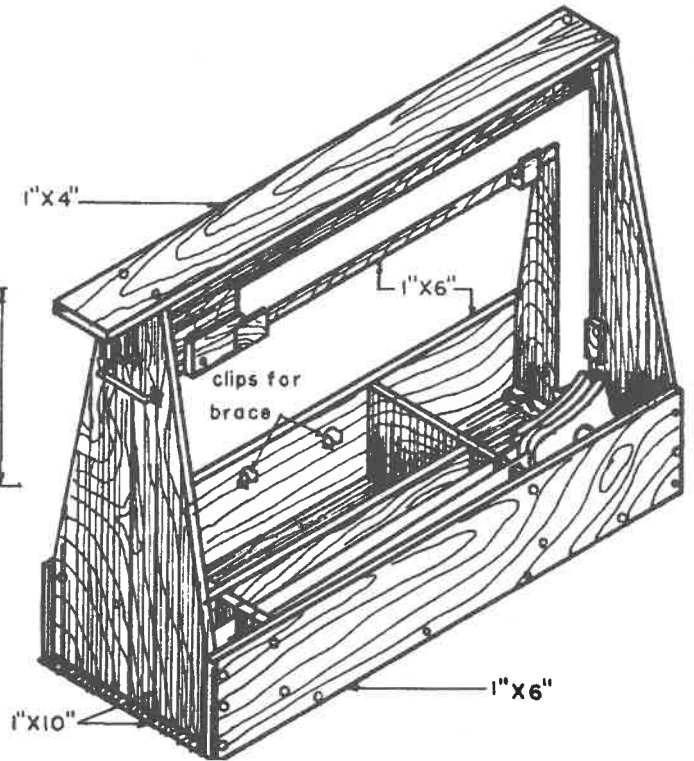
SIDE VIEW



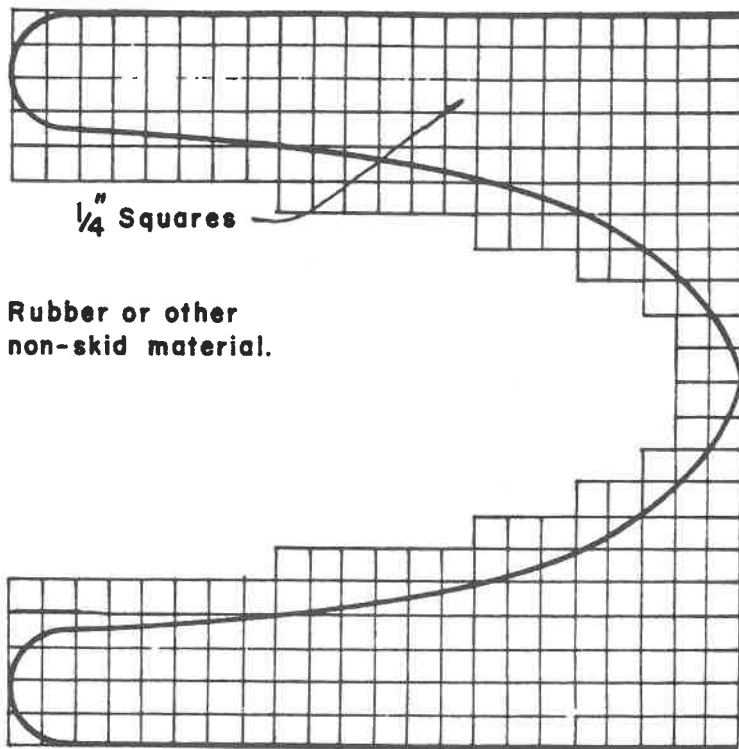
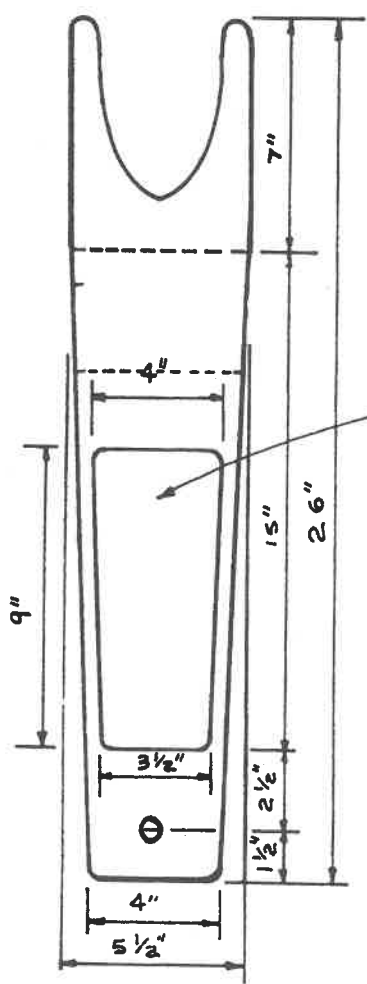
DETAIL



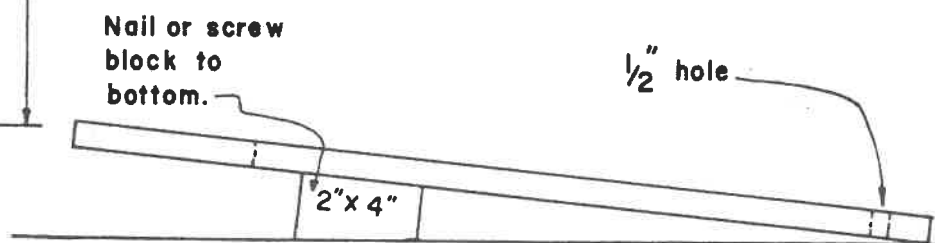
TOP VIEW



Boot Jack



Rubber or other non-skid material.



Dimensions of Nesting Boxes for Various Species of Regular Box-Inhabiting Birds and the Height at Which They Should be Placed Above the Ground

Species	Floor of cavity Inches	Depth of Cavity Inches	Entrance above floor Inches	Diameter of entrance Inches	Height above ground Feet
Bluebird	5x5	8	6	1 1/2	5-10
Robin	6x8	8	*	*	6-15
Chickadee	4x4	8-10	6-8	1 1/8	6-15
Titmice	4x4	8-10	6-8	1 1/4	12-20
Nuthatch	4x4	8-10	6-8	1 1/4	12-20
House Wren	4x4	6-8	1-6	1	6-10
Bewick's Wren	4x4	6-8	1-6	1	6-10
Carolina Wren	4x4	6-8	1-6	1 1/8	6-10
Tree Swallow	5x5	6	1-5	1 1/2	10-15
Barn Swallow	6x6	6	*	*	8-12
Purple Martin	6x6	6	1	2 1/2	15-20
Song Sparrow	6x6	6	**	**	1-3
House Finch	6x6	6	4	2	8-12
Phoebe	6x6	6	*	*	8-12
Crested Flycatcher	6x6	8-10	6-8	2	8-20
Flicker	7x7	16-18	14-16	2 1/2	6-20
Red-headed Woodpecker	6x6	12-15	9-12	2	12-20
Downy Woodpecker	4x4	8-10	6-8	1 1/4	6-20
Hairy Woodpecker	6x6	12-15	9-12	1 1/2	12-20
Screech Owl	8x8	12-15	9-12	3	10-30
Saw-whet Owl	6x6	10-12	8-10	2 1/2	12-20
Barn Owl	10x18	15-18	4	6	12-18
Sparrow Hawk	8x8	12-15	9-12	3	10-30
Wood Duck	10x18	10-15	3	6	4-20

*One or more sides open.

**All sides open.

Kansas State University Agricultural Experiment Station and Cooperative Extension Service

4-H 167 (Rev)

June 2001

It is the policy of Kansas State University Agricultural Experiment Station and Cooperative Extension Service that all persons shall have equal opportunity and access to its educational programs, services, activities, and materials without regard to race, color, religion, national origin, sex, age or disability. Kansas State University is an equal opportunity organization. Issued in furtherance of Cooperative Extension Work, Acts of May 8 and June 30, 1914, as amended. Kansas State University, County Extension Councils, Extension Districts, and United States Department of Agriculture Cooperating, Marc A. Johnson, Director.